

CAYONOPLAN

- floor-level shower
- classic design with inner contour
- perfect match for the CAYONO model range
- large standing area with central waste at short side
- made of KALDEWEI steel enamel
- IAPMO
- ASME A112.19.1
- CSA B45.2
- ASTM F-462
- ICC / ANSI A117.1 (ADA): Model No. 2276



Illustration shows Model 2266

Model 2266

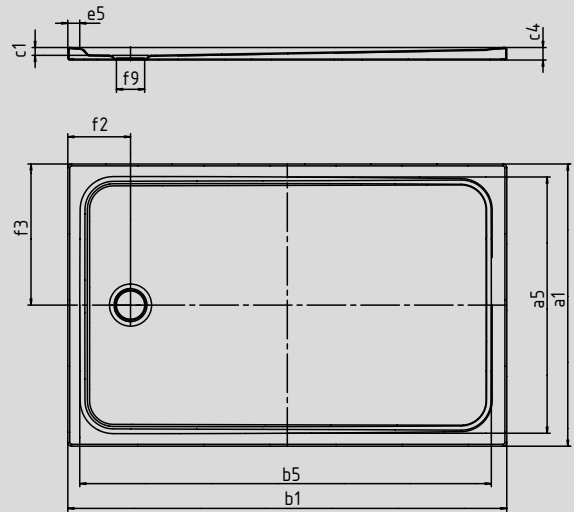
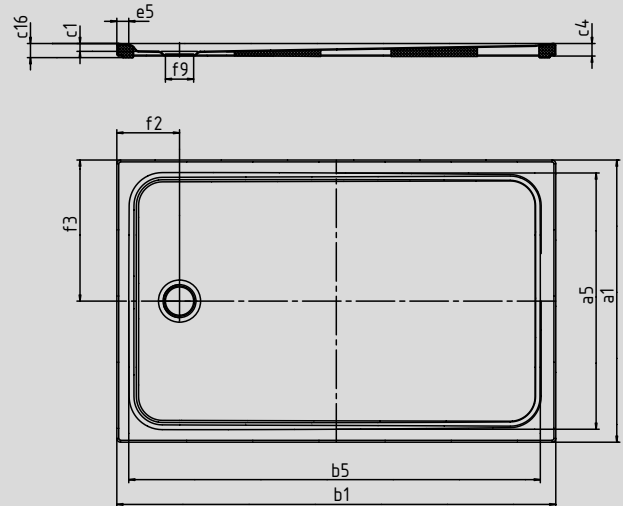


Illustration shows Model 2266 with low profile support



		inch	inch	inch
Model No.		2276	2278	2279
External length	a ₁	31.50	27.56	29.53
Internal length	a ₅	27.17	23.23	25.20
External width	b ₁	62.99	66.93	66.93
Internal width	b ₅	58.66	62.60	62.60
Internal depth	c ₁	0.98	0.98	0.98
Height of rim	c ₄	1.57	1.57	1.57
Height with support	c ₁₆	1.77	1.77	1.77
Width of rim	e ₅	1.97	1.97	1.97
Distance bath edge to centre of drain hole	f ₂	7.87	7.87	7.87
Distance bath edge to centre of drain hole	f ₃	15.75	13.78	14.76
Diameter of drain hole	f ₉	3.54	3.54	3.54
Weight of the enamelled shower tray in lbs		1.26	1.14	1.32