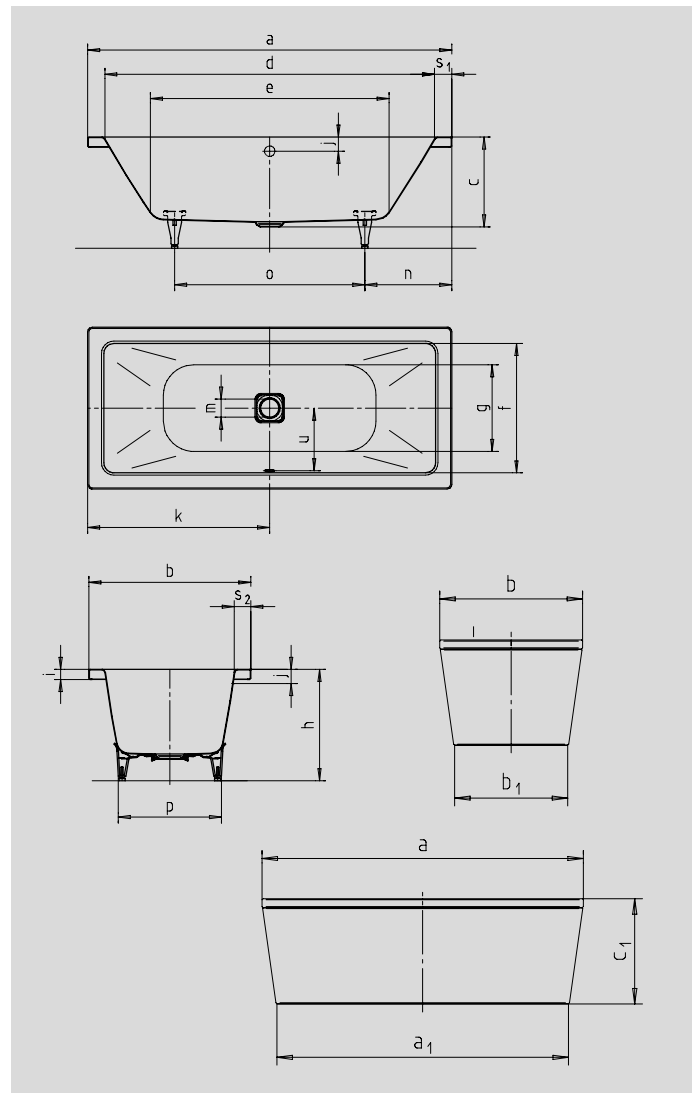


# CONODUO WITH MOULDED PANEL

- straight-lined, purist design
- enamelled waste cover integrated in the bath design
- bathing with a friend: two identical sloping back rests and centrally positioned outlet
- classic rectangular model
- made of KALDEWEI steel enamel
- the moulded panel emphasizes the high design standard and means the bath can be free-standing
- IAPMO
- ASME A112.19.1
- CSA B45.2
- ASTM F-462
- Uniform Plumbing Code (UPC)
- National Plumbing Code (NPC)
- International Plumbing Code (IPC)



\* Feet kit is an optional accessory

Model No.		inch	inch	inch
External length	a	70.87	74.80	78.74
External length (bottom)	a <sub>1</sub>	64.29	68.23	72.17
External width	b	31.50	35.43	39.37
External width (bottom)	b <sub>1</sub>	24.92	28.86	32.80
Depth	c	17.52	17.52	17.52
Overall height with panel	c <sub>1</sub>	23.23	23.23	23.23
Internal length (top)	d	64.57	68.50	70.87
<b>Internal length (bottom)</b>	<b>e</b>	<b>46.46</b>	<b>50.39</b>	<b>52.76</b>
Internal width (top)	f	25.20	29.13	31.50
Internal width (bottom)	g	20.47	24.41	26.77
Height with feet	h	21.85-23.23	22.24-23.62	21.85-23.23
Height of rim	i	1.97	1.97	1.97
Distance top edge to centre of overflow hole	j	2.76	2.76	2.76
Distance tub edge to centre of drain hole	k	35.43	37.40	39.37
Diameter of overflow hole	l	2.05	2.05	2.05
Distance foot end of tub edge to centre of foot	n	21.85	22.44	24.41
Distance between the feet	o	27.17	29.92	29.92
Max. width of feet	p	20.28	24.02	26.57
Width of rim (foot end; lengthwise)	s <sub>1</sub> ; s <sub>2</sub>	3.15; 3.15	3.15; 3.15	3.94; 3.94
Distance between centre holes	u	12.20	14.17	15.35
Water volume** in gallons		41.99	58.11	68.67
Weight of the enamelled bath tub in lbs		187.39	220.46	249.12

Subject to technical alterations and tolerances.  
\*\* 18.49 gallons displacement on average.

**KALDEWEI**