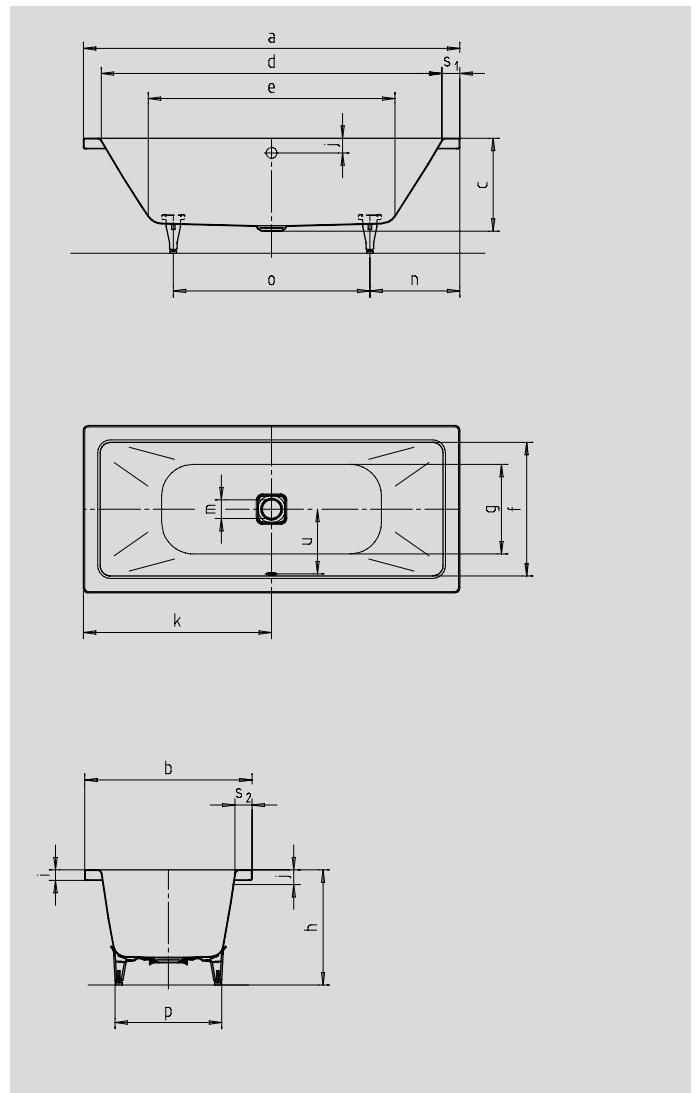


CONODUO

- straightlined, purist design
- enamelled waste cover integrated in the bath design
- bathing with a friend: two identical back rests and centrally positioned outlet
- classic four-cornered model
- made of KALDEWEI steel enamel
- IAPMO
- ASME A112.19.1
- CSA B45.2
- ASTM F-462
- Uniform Plumbing Code (UPC)
- National Plumbing Code (NPC)
- International Plumbing Code (IPC)



* Feet kit is an optional accessory

		inch	inch	inch	inch
Model No.		732	733	734	735
External length	a	66.93	70.87	74.80	78.74
External width	b	29.53	31.50	35.43	39.37
Depth	c	17.52	17.52	17.52	17.52
Internal length (top)	d	60.63	64.57	68.50	70.87
Internal length (bottom)	e	42.52	46.46	50.39	52.76
Internal width (top)	f	23.23	25.20	29.13	31.50
Internal width (bottom)	g	18.50	20.47	24.41	26.77
Height with feet	h	22.24-23.62	21.85-23.23	22.24-23.62	21.85-23.23
Height of rim	i	1.97	1.97	1.97	1.97
Distance top edge to centre of overflow hole	j	2.76	2.76	2.76	2.76
Distance tub edge to centre of drain hole	k	33.46	35.43	37.40	39.37
Diameter of overflow hole	l	2.05	2.05	2.05	2.05
Diameter of drain hole	m	3.54	3.54	3.54	3.54
Distance foot end of tub edge to centre of foot	n	21.85	21.85	22.44	24.41
Distance between the feet	o	23.23	27.17	29.92	29.92
Max. width of feet	p	17.52	20.28	24.02	26.57
Width of rim (foot end; lengthwise)	s ₁ ; s ₂	3.15; 3.15	3.15; 3.15	3.15; 3.15	3.94; 3.94
Distance between centre holes	u	11.22	12.20	14.17	15.35
Water volume** in gallons		32.23	42.00	58.18	68.68
Weight of the enamelled bath tub in lbs		114.64	125.66	145.51	165.35

Subject to technical alterations and tolerances.
 ** 18.49 gallons displacement on average.

KALDEWEI