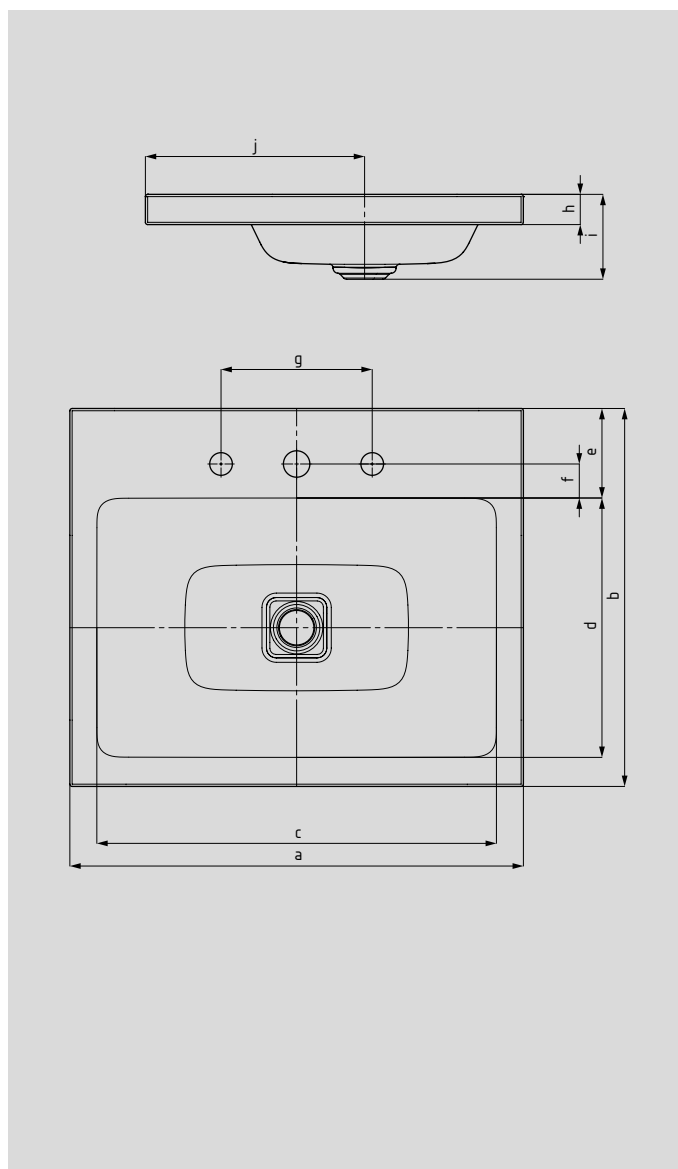


# CONO INSET COUNTERTOP WASHBASIN

(HEIGHT OF RIM 1.57 INCH)

- washbasin with premium character exudes elegance and harmony
- optimally integrated enamelled waste accentuates the underlying geometry of the washbasin
- unusually generous rim provides space for fittings or individual accessories
- perfectly complements the CONO range



		inch	inch	inch
<b>Model No.</b>		<b>3076</b>	<b>3083</b>	<b>3084</b>
External length	a	19.69	23.62	35.43
External width	b	19.69	19.69	19.69
Internal length	c	17.01	20.94	32.76
Internal width	d	13.70	13.70	13.70
Depth of tap deck	e	4.57	4.57	4.57
Distance tap holes to edge	f	1.77	1.77	1.77
Distance of outer tap holes (3 tap holes)	g	7.87	7.87	7.87
Height of rim	h	1.57	1.57	1.57
Distance basin surface to bottom edge of waste hole	i	4.41	4.41	4.41
Distance rear edge to centre of waste hole	j	11.42	11.42	11.42
Weight of the enamelled washbasin in lbs		17.2	17.57	24.8