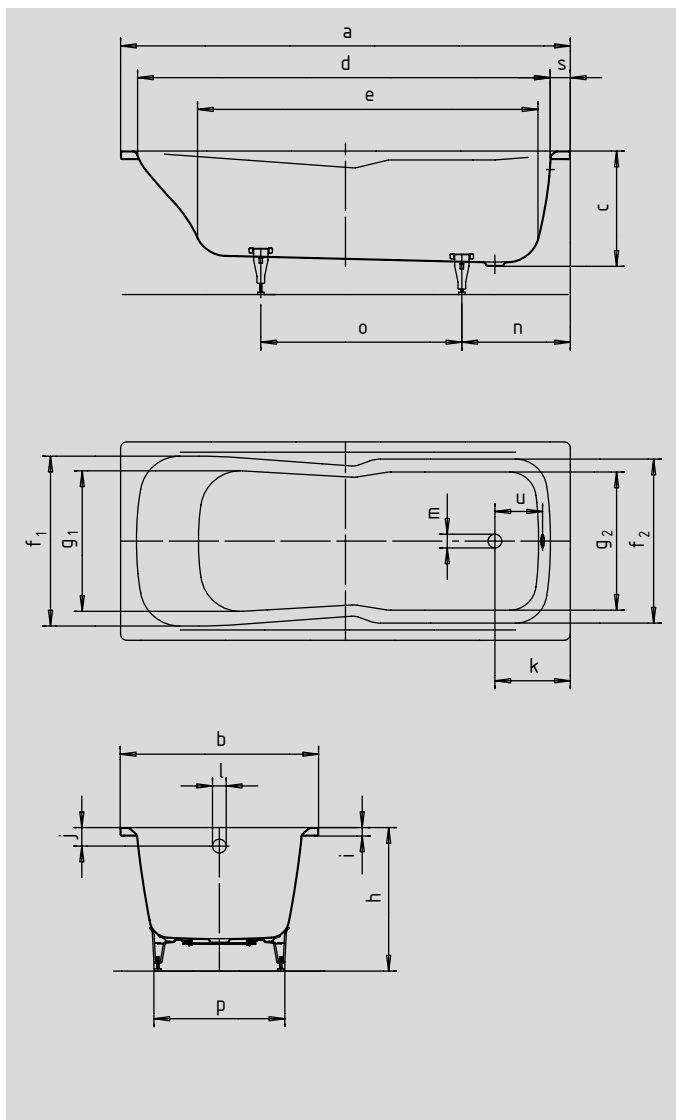


DYNA SET

- one-seater bathtub with outlet at foot end
- combi-bathtub suitable for bathing and showering
- made of KALDEWEI steel enamel
- IAPMO
- ASME A112.19.1
- CSA B45.2
- ASTM F-462
- Uniform Plumbing Code (UPC)
- National Plumbing Code (NPC)
- International Plumbing Code (IPC)



* Feet kit is an optional accessory

Model No.		inch	inch	inch	inch
		626	624	620	622
External length	a	62.99	59.06	66.93	70.87
External width	b	27.56	29.53	29.53	31.50
Depth	c	16.93	16.93	16.93	16.93
Internal length (top)	d	56.69	52.76	61.61	61.61
Internal length (bottom)	e	45.47	41.34	48.43	48.43
Internal width (top)	f ₁ ; f ₂	23.23; 23.23	25.20; 25.20	25.20; 24.41	25.20; 24.41
Internal width (bottom)	g ₁ ; g ₂	17.72; 18.50	19.69; 20.47	19.69; 20.47	19.69; 20.47
Height with feet	h	22.09-23.07	22.09-23.07	22.09-23.07	22.09-23.07
Height of rim	i	1.26	1.26	1.26	1.26
Distance top edge to centre of overflow hole	j	2.76	2.76	2.76	2.76
Distance tub edge to centre of drain hole	k	12.20	12.20	11.22	13.19
Diameter of overflow hole	l	2.05	2.05	2.05	2.05
Diameter of drain hole	m	2.05	2.05	2.05	2.05
Distance foot end of tub edge to centre of foot	n	16.14	16.14	16.14	16.34
Distance between the feet	o	27.17	23.23	29.92	31.69
Max. width of feet	p	17.52	19.49	19.49	19.49
Width of rim (foot end)	s	3.94	3.94	2.95	4.92
Distance between centre holes	u	8.11	8.11	8.11	8.11
Water volume** in gallons		32.22	35.13	44.64	44.64
Weight of the enamelled bath tub in lbs		101.41	99.71	116.85	149.91

Subject to technical alterations and tolerances.
 ** 18.49 gallons displacement on average.

KALDEWEI