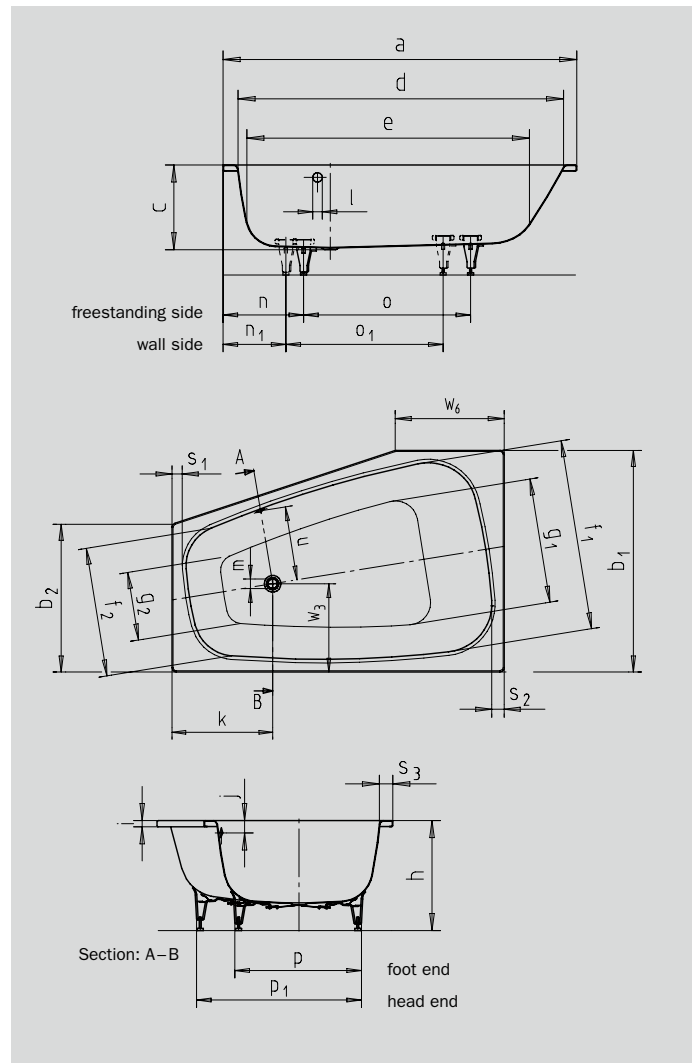


# GRANDO DUO RIGHT

- the spacious interior enables you to adopt a wide range of positions when bathing
- bathing with a friend: sit next to each other
- available as right or left-hand model
- made of KALDEWEI steel enamel
- IAPMO
- ASME A112.19.1
- CSA B45.2
- ASTM F-462
- Uniform Plumbing Code (UPC)
- National Plumbing Code (NPC)
- International Plumbing Code (IPC)



\* Feet kit is an optional accessory

Model No.		inch	mm
		<b>190</b>	<b>190</b>
External length	a	70.87	1800
External width	b <sub>1</sub> ; b <sub>2</sub>	47.24; 31.50	1200; 800
Depth	c	16.93	430
Internal length (top)	d	63.98	1625
<b>Internal length (bottom)</b>	<b>e</b>	<b>55.51</b>	<b>1410</b>
Internal width (top)	f <sub>1</sub> ; f <sub>2</sub>	40.75; 27.56	1035; 700
Internal width (bottom)	g <sub>1</sub> ; g <sub>2</sub>	29.06; 14.57	738; 370
Height with feet	h	21.73-22.05	552-560
Height of rim	i	1.26	32
Distance top edge to centre of overflow hole	j	2.76	70
Distance tub edge to centre of drain hole	k	21.46	545
Diameter of overflow hole	l	2.05	52
Diameter of drain hole	m	2.05	52
Distance foot end of tub edge to centre of foot	n; n <sub>1</sub>	12.60; 16.14	320; 410
Distance between the feet	o; o <sub>1</sub>	31.50; 33.46	800; 850
Max. width of feet	p; p <sub>1</sub>	23.62; 34.65	600; 880
Width of rim (foot end; head end; lengthwise)	s <sub>1</sub> ; s <sub>2</sub> ; s <sub>3</sub>	2.91; 2.40; 2.60	74; 61; 66
Distance between centre holes	u	16.10	409
Distance tub edge (lengthwise) to drain hole	w <sub>3</sub>	18.82	478
Side length	w <sub>6</sub>	23.23	590
Water volume** in gallons		72.19	
Weight of the enamelled bath tub in lbs		147.71	

Subject to technical alterations and tolerances.  
 \*\* 18.49 gallons displacement on average.

**KALDEWEI**