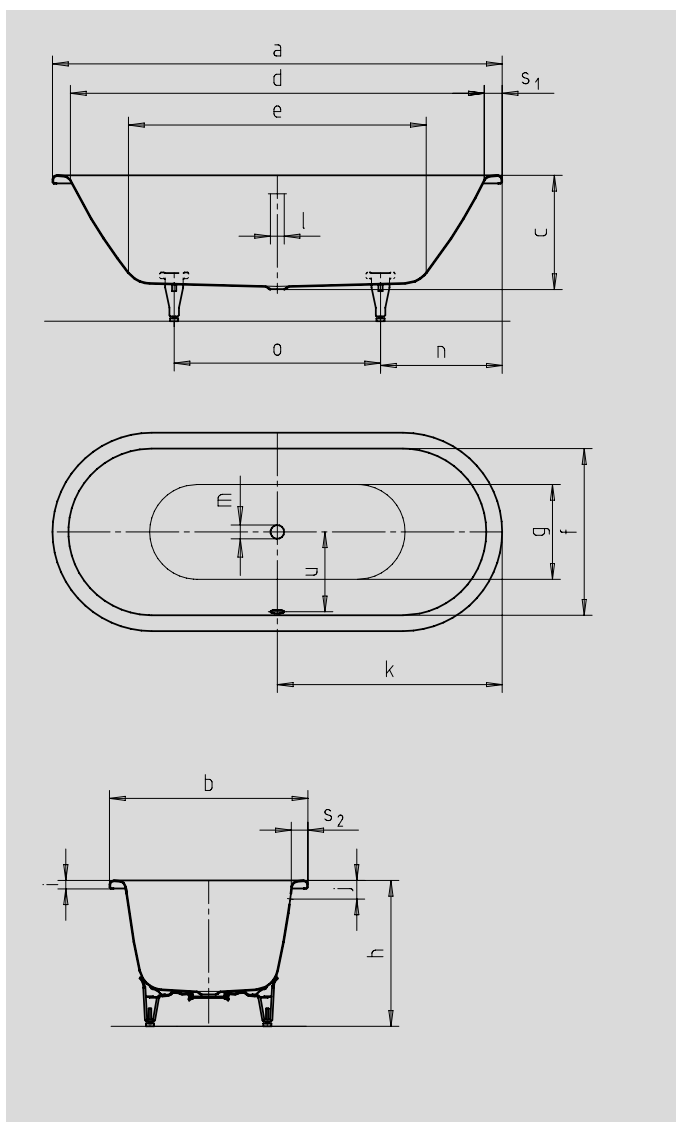


KLASSIKDUO OVAL

- puristic simplicity and unpretentious elegance are what distinguish these bathtubs
- bathing with a friend: two identical back rests and centrally positioned outlet
- made of KALDEWEI steel enamel
- IAPMO
- ASME A112.19.1
- CSA B45.2
- ASTM F-462
- Uniform Plumbing Code (UPC)
- National Plumbing Code (NPC)
- International Plumbing Code (IPC)



* Feet kit is an optional accessory

		inch	inch	inch
Model No.		112	113	111
External length	a	62.99	66.93	70.87
External width	b	27.56	29.53	31.50
Depth	c	16.93	16.93	16.93
Internal length (top)	d	58.27	62.20	66.14
Internal length (bottom)	e	40.55	44.49	48.43
Internal width (top)	f	22.83	24.80	26.77
Internal width (bottom)	g	17.72	19.69	21.65
Height with feet	h	22.05-23.23	21.58-23.23	21.85-23.23
Height of rim	i	1.26	1.26	1.26
Distance top edge to centre of overflow hole	j	2.76	2.76	2.76
Distance tub edge to centre of drain hole	k	31.50	33.46	35.43
Diameter of overflow hole	l	2.05	2.05	2.05
Diameter of drain hole	m	2.05	2.05	2.05
Distance foot end of tub edge to centre of foot	n	22.05	22.05	23.62
Distance between the feet	o	18.90	22.83	23.62
Max. width of feet	p	16.14	17.72	21.26
Width of rim (foot end; lengthwise)	s ₁ ; s ₂	2.36; 2.36	2.36; 2.36	2.36; 2.36
Distance between centre holes	u	11.02	12.01	12.99
Water volume** in gallons		25.09	32.75	41.73
Weight of the enamelled bath tub in lbs		90.39	99.21	110.23

Subject to technical alterations and tolerances.
 ** 18.49 gallons displacement on average.

KALDEWEI