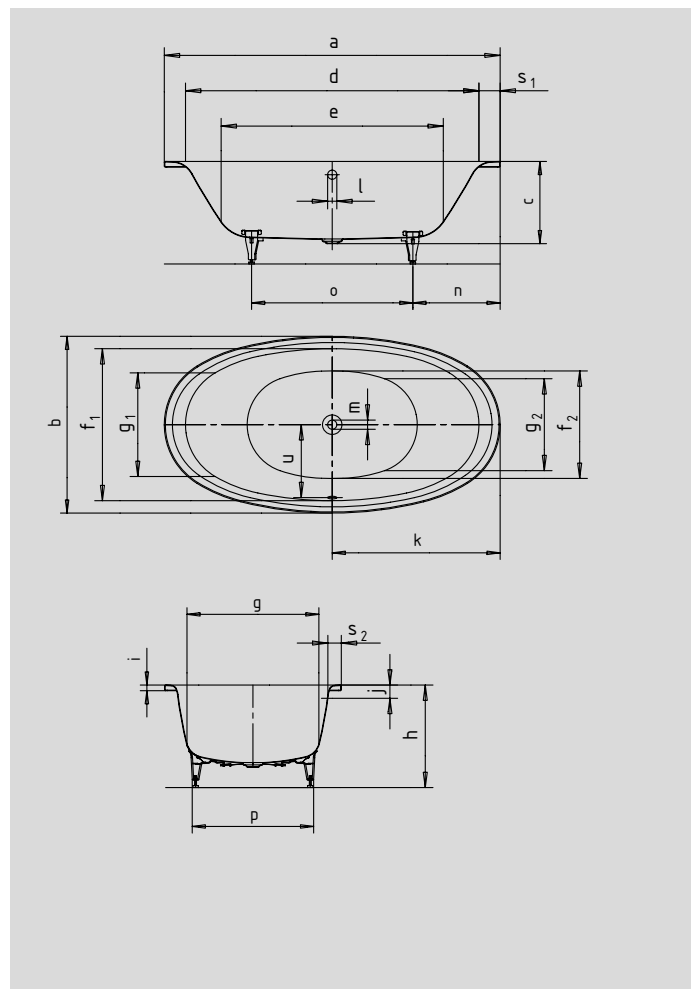


LUX XO DUO OVAL

- gently shaped shoulder rest for more pleasure and comfort
- bathing with a friend: two identical back rests and centrally positioned outlet
- made of KALDEWEI steel enamel
- enamelled waste cover integrated in the bath design
- IAPMO
- ASME A112.19.1
- CSA B45.2
- ASTM F-462
- Uniform Plumbing Code (UPC)
- National Plumbing Code (NPC)
- International Plumbing Code (IPC)



* Feet kit is an optional accessory

		inch	inch
Model No.		232	232-7
External length	a	74.80	74.80
External length (bottom)	a ₁	-	39.88
External width	b	39.37	39.37
External width (bottom)	b ₁	-	23.94
Depth	c	17.72	17.72
Overall height with panel	c ₁	-	21.65
Internal length (top)	d	65.35	65.35
Internal length (bottom)	e	49.61	49.61
Internal width (top)	f ₁ ; f ₂	33.86; 24.02	33.86; 24.02
Internal width (bottom)	g ₁ ; g ₂	23.03; 20.47	23.03; 20.47
Height with feet	h	22.24-23.43	22.24-23.43
Height of rim	i	1.26	1.26
Distance top edge to centre of overflow hole	j	2.95	2.95
Distance tub edge to centre of drain hole	k	37.40	37.40
Diameter of overflow hole	l	2.05	2.05
Diameter of drain hole	m	2.05	2.05
Distance foot end of tub edge to centre of foot	n	23.03	23.03
Distance between the feet	o	28.74	28.74
Max. width of feet	p	24.41	24.41
Width of rim (foot end; lengthwise)	s ₁ ; s ₂	4.72; 2.56	4.72; 2.56
Distance between centre holes	u	16.57	16.57
Water volume** in gallons		56.52	56.52
Weight of the enamelled bath tub in lbs		121.25	167.55

Subject to technical alterations and tolerances.
 ** 18.49 gallons displacement on average.

KALDEWEI