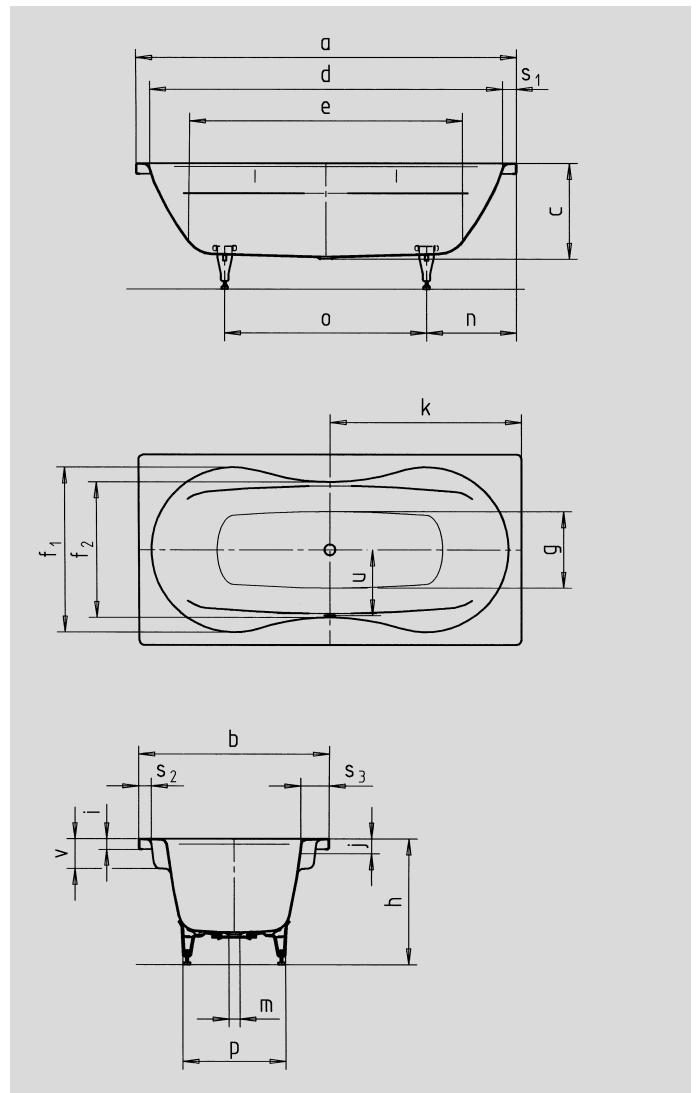


MEGA DUO

- bathing with a friend: two identical back rests and centrally positioned outlet
- wide arm rests on both sides provide optimum bathing comfort
- classic four-cornered model
- made of KALDEWEI steel enamel
- IAPMO
- ASME A112.19.1
- CSA B45.2
- ASTM F-462
- Uniform Plumbing Code (UPC)
- National Plumbing Code (NPC)
- International Plumbing Code (IPC)



* Feet kit is an optional accessory

		inch
Model No.		180
External length	a	70.87
External width	b	35.43
Depth	c	17.72
Internal length (top)	d	66.14
Internal length (bottom)	e	50.79
Internal width (top)	f ₁ ; f ₂	30.71; 25.20
Internal width (bottom)	g	14.17
Height with feet	h	22.24-23.62
Height of rim	i	1.97
Distance top edge to centre of overflow hole	j	2.76
Distance tub edge to centre of drain hole	k	35.43
Diameter of overflow hole	l	2.05
Diameter of drain hole	m	2.05
Distance foot end of tub edge to centre of foot	n	19.29
Distance between the feet	o	32.28
Max. width of feet	p	18.90
Width of rim (foot end; lengthwise)	s ₁ ; s ₂ ; s ₃	2.36; 2.36; 5.12
Distance between centre holes	u	12.20
Armrest depth	v	5.51
Water volume** in gallons		49.14
Weight of the enamelled bath tub in lbs		132.28

Subject to technical alterations and tolerances.
 ** 18.49 gallons displacement on average.

KALDEWEI