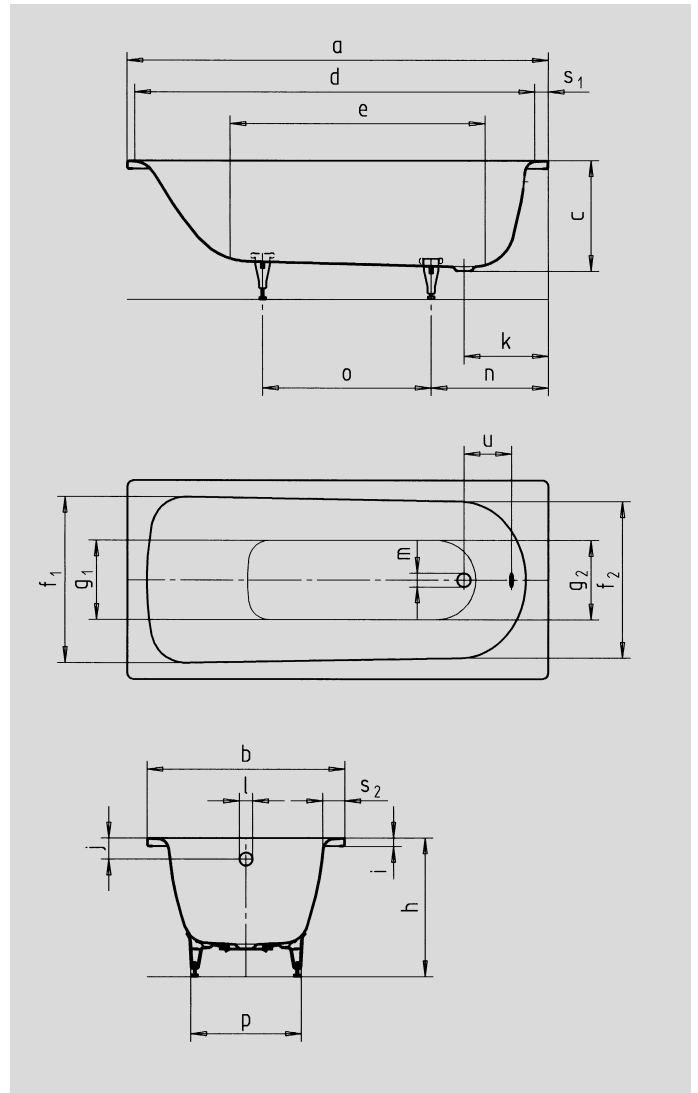


SANIFORM PLUS

- one-seater bathtub with outlet at foot end
- classic four-cornered model
- made of KALDEWEI steel enamel
- IAPMO
- ASME A112.19.1
- CSA B45.2
- ASTM F-462
- Uniform Plumbing Code (UPC)
- National Plumbing Code (NPC)
- International Plumbing Code (IPC)



* Feet kit is an optional accessory

Model No.		inch	inch	inch
		360	361	366
External length	a	55.12	59.06	55.12
External width	b	27.56	27.56	29.53
Depth	c	16.14	16.14	18.90
Internal length (top)	d	48.43	52.36	48.82
Internal length (bottom)	e	33.46	37.40	25.39
Internal width (top)	f ₁ ; f ₂	21.65; 20.87	21.65; 20.87	24.41; 23.23
Internal width (bottom)	g ₁ ; g ₂	15.35; 13.78	15.35; 13.78	11.02; 11.02
Height with feet	h	21.06-21.85	21.06-21.85	24.21-25.00
Height of rim	i	1.26	1.26	1.26
Distance top edge to centre of overflow hole	j	2.48	2.48	2.56
Distance tub edge to centre of drain hole	k	12.20	12.60	14.17
Diameter of overflow hole	l	2.48	2.48	2.48
Diameter of drain hole	m	2.05	2.05	2.05
Distance foot end of tub edge to centre of foot	n	17.91	17.52	18.11
Distance between the feet	o	17.52	21.85	16.34
Max. width of feet	p	14.96	14.96	16.93
Width of rim (foot end; lengthwise)	s ₁ ; s ₂	2.76; 2.95	2.76; 2.95	3.15; 3.35
Distance between centre holes	u	8.35	8.74	10.55
Water volume** in gallons		17.70	21.66	29.06
Weight of the enamelled bath tub in lbs		88.18	88.18	92.59

Subject to technical alterations and tolerances.
 ** 18.49 gallons displacement on average.

KALDEWEI