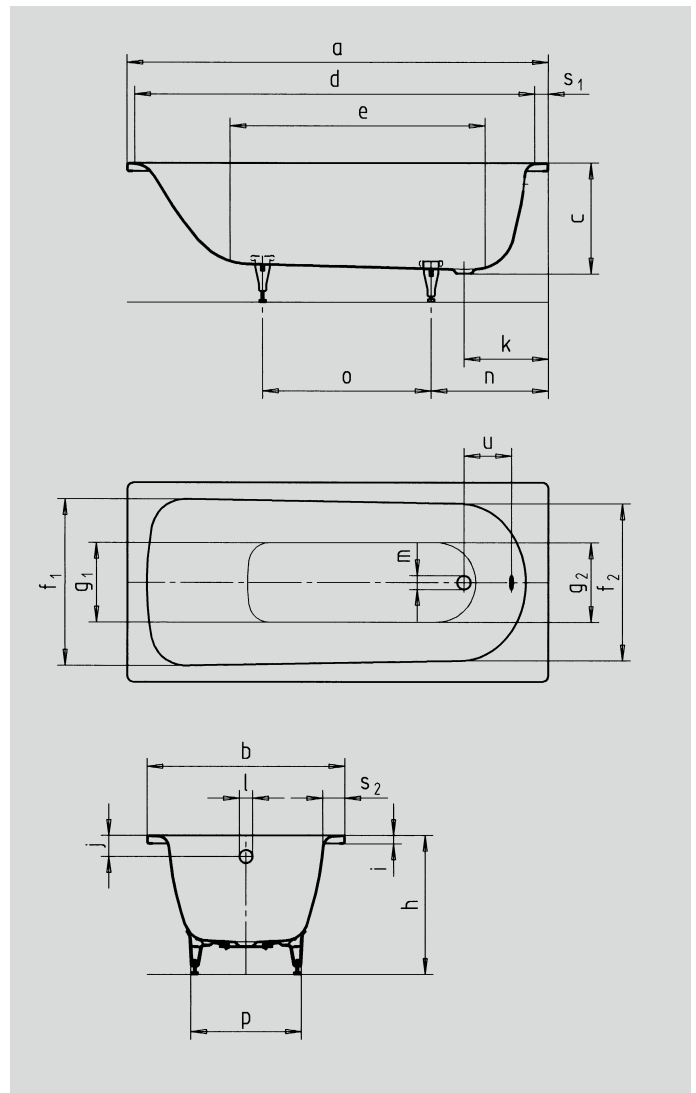


SANIFORM PLUS

- one-seater bathtub with outlet at foot end
- classic four-cornered model
- made of KALDEWEI steel enamel
- IAPMO
- ASME A112.19.1
- CSA B45.2
- ASTM F-462
- Uniform Plumbing Code (UPC)
- National Plumbing Code (NPC)
- International Plumbing Code (IPC)



* Feet kit is an optional accessory

		inch	mm	inch	mm	inch	mm	inch	mm	inch	mm	inch	mm
Model No.		372-1	372-1	373-1	373-1	374	374	375-1	375-1	366	366	367	367
External length	a	62.99	1600	66.93	1700	68.90	1750	70.87	1800	55.12	1400	62.99	1600
External width	b	29.53	750	29.53	750	29.53	750	31.50	800	29.53	750	29.53	750
Depth	c	16.14	410	16.14	410	16.93	430	16.93	430	18.90	480	18.90	480
Internal length (top)	d	56.30	1430	60.24	1530	64.17	1630	64.17	1630	48.82	1240	56.69	1440
Internal length (bottom)	e	41.34	1050	45.28	1150	47.24	1200	49.21	1250	25.39	645	33.23	844
Internal width (top)	f ₁ ; f ₂	23.62; 22.83	600; 580	23.62; 22.83	600; 580	24.80; 22.05	630; 560	26.57; 25.20	675; 640	24.41; 23.23	620; 590	24.41; 23.23	620; 590
Internal width (bottom)	g ₁ ; g ₂	17.32; 15.75	440; 400	17.32; 15.75	440; 400	16.93; 14.96	430; 380	20.47; 17.72	520; 450	11.02; 11.02	280; 280	11.02; 11.02	280; 280
Height with feet	h	21.06-21.85	535-555	21.06-21.85	535-555	22.05-22.83	560-580	21.65-22.83	550-580	24.21-25.00	615-635	24.21-25.00	615-635
Height of rim	i	1.26	32	1.26	32	1.26	32	1.26	32	1.26	32	1.26	32
Distance top edge to centre of overflow hole	j	2.48	63	2.48	63	2.76	70	2.95	75	2.56	65	2.56	65
Distance tub edge to centre of drain hole	k	12.20	310	12.20	310	11.22	285	12.20	310	14.17	360	14.17	360
Diameter of overflow hole	l	2.05	52	2.05	52	2.05	52	2.05	52	2.05	52	2.05	52
Diameter of drain hole	m	2.05	52	2.05	52	2.05	52	2.05	52	2.05	52	2.05	52
Distance foot end of tub edge to centre of foot	n	17.52	445	17.52	445	17.72	450	18.11	470	18.11	470	18.90	480
Distance between the feet	o	25.20	640	29.53	750	25.20	640	33.07	830	16.34	415	23.82	605
Max. width of feet	p	16.93	430	16.93	430	16.93	430	18.90	480	16.93	430	16.93	430
Width of rim (foot end; lengthwise)	s ₁ ; s ₂	2.76; 2.95	70; 75	2.76; 2.95	70; 75	2.36; 2.17	60; 55	2.76; 2.95	70; 75	3.15; 3.35	80; 85	3.15; 3.35	80; 85
Distance between centre holes	u	9.06	218	9.06	218	8.70	221	9.06	216	10.55	268	10.51	267
Water volume** in gallons		28.26		32.49		38.30		39.62		29.06		36.98	
Weight of the enamelled bath tub in lbs		103.62		110.23		121.25		121.25		92.59		108.03	

Subject to technical alterations and tolerances.
 ** 18.49 gallons displacement on average.

KALDEWEI