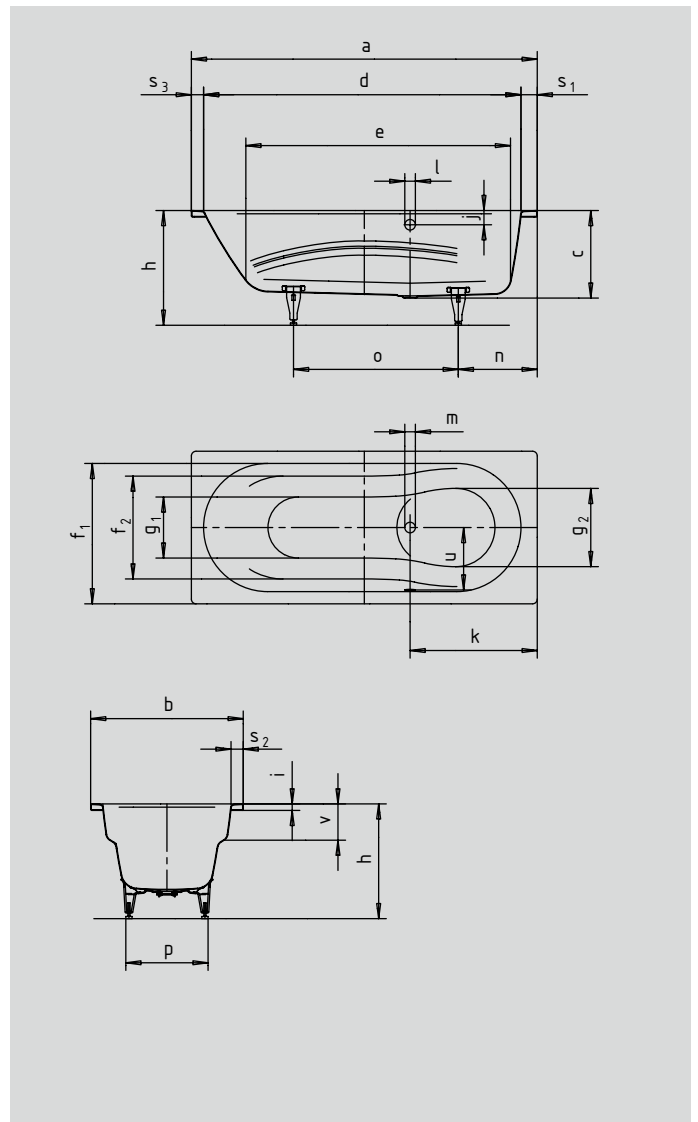


# VAIO SET

- one-seater bathtub with side overflow and integrated arm rests
- combi-bathtub suitable for bathing and showering
- made of KALDEWEI steel enamel
- IAPMO
- ASME A112.19.1
- CSA B45.2
- ASTM F-462
- Uniform Plumbing Code (UPC)
- National Plumbing Code (NPC)
- International Plumbing Code (IPC)



\* Feet kit is an optional accessory

Model No.		inch	mm	inch	mm	inch	mm	inch	mm
External length	a	62.99	1600	66.93	1700	66.93	1700	70.87	1800
External width	b	27.56	700	27.56	700	29.53	750	31.50	800
Depth	c	16.93	430	16.93	430	16.93	430	16.93	430
Internal length (top)	d	57.48	1460	57.48	1460	61.42	1560	61.42	1560
<b>Internal length (bottom)</b>	<b>e</b>	<b>47.24</b>	<b>1200</b>	<b>47.24</b>	<b>1200</b>	<b>51.18</b>	<b>1300</b>	<b>51.18</b>	<b>1300</b>
Internal width (top)	f <sub>1</sub> ; f <sub>2</sub>	22.83; 18.50	580; 470	22.83; 18.50	580; 470	24.80; 19.88	630; 505	24.80; 19.88	630; 505
Internal width (bottom)	g <sub>1</sub> ; g <sub>2</sub>	10.83; 12.99	420; 475	10.83; 12.99	420; 475	11.81; 15.16	450; 525	17.72; 20.67	450; 525
Height with feet	h	22.05-22.83	560-580			22.05-22.83	560-580	22.05-22.83	560-580
Height of rim	i	1.26	32	1.26	32	1.26	32	1.26	32
Distance top edge to centre of overflow hole	j	2.76	70	2.76	70	2.76	70	2.76	70
Distance tub edge to centre of drain hole	k	22.64	575	24.61	625	24.61	625	26.57	675
Diameter of overflow hole	l	2.05	52	2.05	52	2.05	52	2.05	52
Diameter of drain hole	m	2.05	52	2.05	52	2.05	52	2.05	52
Distance foot end of tub edge to centre of foot	n	17.13	435	19.09	485	17.13	435	19.09	485
Distance between the feet	o	24.61	625	24.61	625	28.54	725	28.54	725
Max. width of feet	p	16.73	425	16.93	430	19.21	488	19.09	485
Width of rim (foot end; lengthwise)	s <sub>1</sub> ; s <sub>2</sub> ; s <sub>3</sub>	3.15; 2.36; 2.36	80; 60; 60	5.12; 2.36; 4.33	130; 60; 110	3.15; 2.36; 2.36	80; 60; 60	5.12; 3.35; 4.33	130; 85; 110
Distance between centre holes	u	11.02	280	11.02	280	12.20	310	12.20	310
Armrest depth	v	6.89	175	6.89	175	6.89	175	6.89	175
Water volume** in gallons		26.41		26.41		35.66		35.66	
Weight of the enamelled bath tub in lbs		101.41		103.62		110.23		121.25	

Subject to technical alterations and tolerances.  
\*\* 18.49 gallons displacement on average.

**KALDEWEI**